

PLEASE CHECK WWW.MOLEX.COM FOR LATEST PART INFORMATION

Part Number: [0395250007](#)
Status: **Active**
Description: 5.00mm (.197") Pitch Eurostyle™ Vertical PCB Header, with Threaded Retention Inserts, 7 Circuits

Documents:

[3D Model](#) [Product Specification PS-39500-001 \(PDF\)](#)
[Drawing \(PDF\)](#) [RoHS Certificate of Compliance \(PDF\)](#)

General

| | |
|-----------------------------|---------------------------|
| Product Family | Terminal Blocks |
| Series | 39525 |
| Application | Wire-to-Board |
| Component Type | PCB Header |
| Product Literature Order No | USA-355 |
| Product Name | ESE, Eurostyle™ Pluggable |
| Type | Euro Block |

Physical

| | |
|--------------------------------|-----------------|
| Circuits (Loaded) | 7 |
| Entry Angle | N/A |
| Lock to Mating Part | Yes |
| Number of Rows | 1 |
| Orientation | Vertical |
| PC Tail Length (in) | 0.154 In |
| PC Tail Length (mm) | 3.90 mm |
| PCB Thickness Recommended (in) | 0.125 In |
| PCB Thickness Recommended (mm) | 3.20 mm |
| Panel Mount | No |
| Pitch - Mating Interface (in) | 0.197 In |
| Pitch - Mating Interface (mm) | 5.00 mm |
| Polarized to Mating Part | Yes |
| Shrouded | Closed Ends |
| Stackable | No |
| Surface Mount Compatible (SMC) | N/A |
| Temperature Range - Operating | -40°C to +105°C |
| Wire Size AWG | N/A |

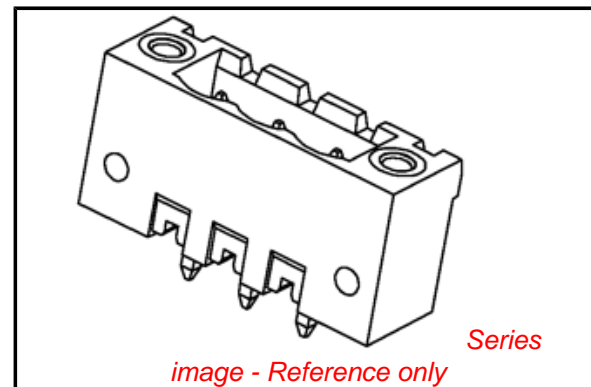
Electrical

| | |
|-------------------------------|------|
| Current - Maximum per Contact | 15A |
| Voltage - Maximum | 300V |

Material Info

Reference - Drawing Numbers

| | |
|-----------------------|----------------------------|
| Product Specification | PS-39500-001 |
| Sales Drawing | SD-39501-002, SD-39525-002 |



EU RoHS

ELV and RoHS Compliant
REACH SVHC
 Not Reviewed
Halogen-Free Status

China RoHS



Not Reviewed

Need more information on product environmental compliance?

Email productcompliance@molex.com
 For a multiple part number RoHS Certificate of Compliance, [click here](#)

Please visit the [Contact Us](#) section for any non-product compliance questions.

Search Parts in this Series

[39525Series](#)

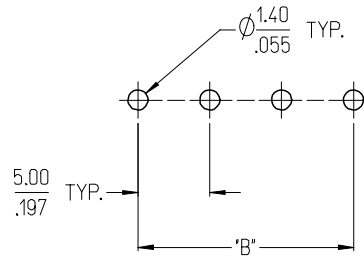
Mates With

Most 5.00mm (.197") Pitch Industry Standard Plugs, [39524](#) Horizontal Plug with Retention Screws, [39527](#) Vertical Plug with Retention Screws

3950X SERIES
3.50mm HEADERS



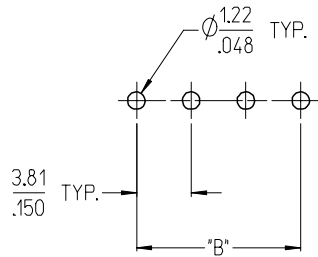
3952X & 3954X SERIES
5.00mm HEADERS
5.00mm 10 AMP FIXED



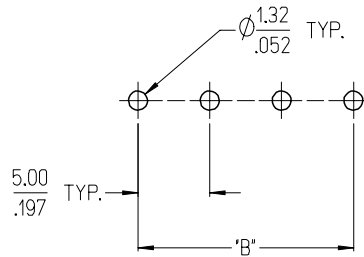
3953X SERIES
5.08mm HEADERS



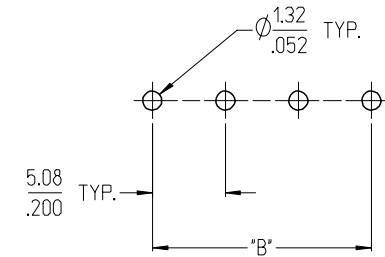
3951X SERIES
3.81mm HEADERS



3954X SERIES
5.00mm 15 AMP FIXED



3954X SERIES
5.08mm 15 AMP FIXED



NOTES:

- REFER TO INDIVIDUAL PRODUCT SALES DRAWINGS FOR "B" DIMENSION.
- DOES NOT APPLY TO DUAL LEVEL HEADERS, SERIES 39528 AND 39538.
- TYP. = TYPICAL.

| | |
|-----------------|---------------------|
| INITIAL RELEASE | EC NO: ETC2007-0096 |
| DRWN: CLYORK | 2006/10/02 |
| CHKD: JMACNEIL | 2006/10/04 |
| APPR: JMACNEIL | 2006/10/04 |
| REV | DESCRIPTION |
| A | |

| |
|-----------------|
| QUALITY SYMBOLS |
| ▽=0 |
| ▽=0 |

| GENERAL TOLERANCES (UNLESS SPECIFIED) | |
|--|--------|
| | mm |
| 4 PLACES | ± .005 |
| 3 PLACES | ± .005 |
| 2 PLACES | ± 0.13 |
| 1 PLACE | ± 0.3 |
| ANGULAR ± 2 ° | |
| DRAFT WHERE APPLICABLE MUST REMAIN WITHIN DIMENSIONS | |

| DIMENSION STYLE | |
|-----------------|------------|
| MM/IN | |
| DRAWN BY | DATE |
| C. YORK | 2006/08/25 |
| CHECKED BY | DATE |
| J. MACNEIL | 2006/08/25 |
| APPROVED BY | DATE |
| J. MACNEIL | 2006/08/25 |
| MATERIAL NO. | |
| -- | |

| | | |
|--|--------------|------------------------|
| SCALE | DESIGN UNITS | THIRD ANGLE PROJECTION |
| 3:1 | INCH | |
| TITLE | | |
| RECOMMENDED PCB LAYOUT FOR ESE TERMINAL BLOCKS | | |
| MOLEX INCORPORATED | | |
| DOCUMENT NO. | SHEET NO. | |
| SD-39501-002 | 1 OF 1 | |
| SIZE B THIS DRAWING CONTAINS INFORMATION THAT IS PROPRIETARY TO MOLEX INCORPORATED AND SHOULD NOT BE USED WITHOUT WRITTEN PERMISSION | | |

10 9 8 7 6 5 4 3 2 1

F

E

D

C

B

A

F

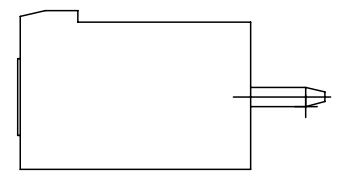
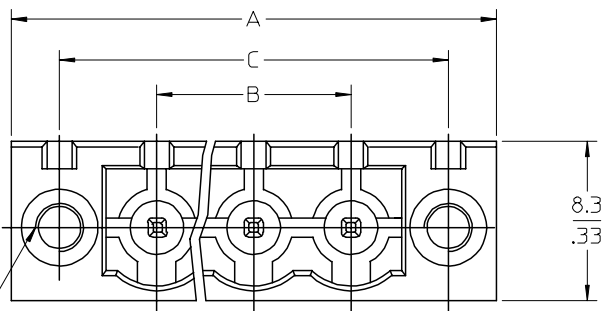
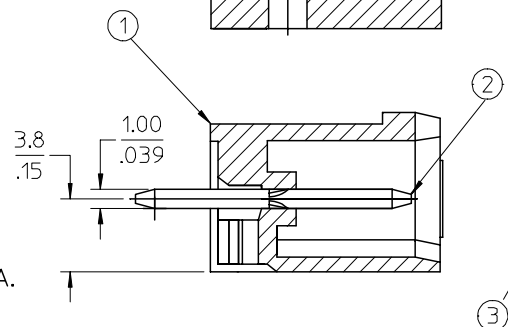
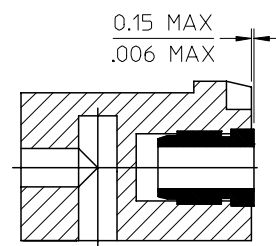
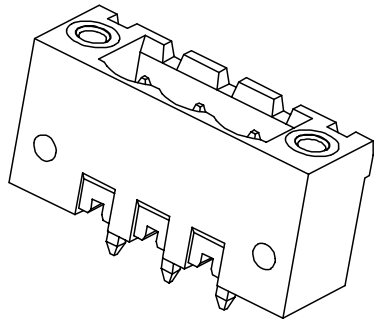
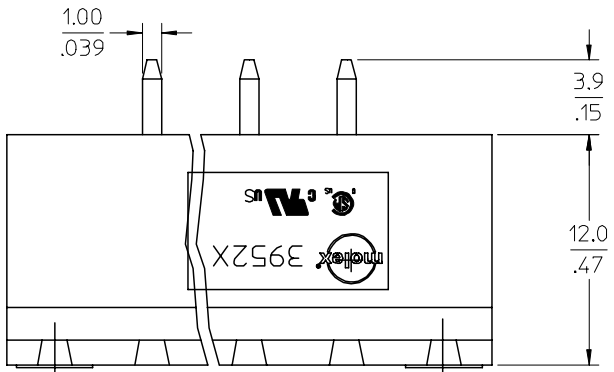
E

D

C

B

A



SPECIFICATIONS:

- 1. Material:
 - (1). Body: PA66
 - (2). Pin: Brass
 - (3). Threaded insert: Brass
- 2. Wire range: N/A
- 3. Electrical rating: 300V, 15A.
- 4. Wire strip length: N/A
- 5. Operating temperature: -40C to +105C.
- 6. Max torque: N/A
- 7. Insulation resistance: DC 500V, 500M.
- 8. Dielectric withstand: AC 2500V for 1 minute.
- 9. Breakdown voltage: 4000V.
- 10. $A = (B + 15.0\text{mm})$
- 11. $B = (N - 1) \times P$
- 13. $C = (B + 10\text{mm})$
- 12. P (PITCH) = 5.0mm (.197").
- 13. N = Number of positions available 2 through 24.

| | | | | | | | | | |
|--|-------------------------------|---------------------------------------|--|--------------------------|--|------------------|--|------------------------|--|
| ENTER DESCRIPTION EC NO: NEC2006-0310 DRWNL: LROTHAUS 2006/01/09 CHKD: CYORK 2006/01/09 APPR: JPAMLIK 2006/01/10 | QUALITY SYMBOLS ▽=0 ▽=0 | GENERAL TOLERANCES (UNLESS SPECIFIED) | | DIMENSION STYLE MM/IN | | SCALE 4:1 | DESIGN UNITS INCH | THIRD ANGLE PROJECTION | |
| | | | mm | INCH | DRAWN BY LROTHAUS | DATE 12/6/05 | TITLE 5.0MM, EURO HEADER, VERTICAL, MOUNTING | | |
| | | 4 PLACES | ± --- | ±.0015 | CHECKED BY C. YORK | DATE 01/06/06 | | | |
| | | 3 PLACES | ±0.038 | ±.005 | APPROVED BY | DATE | MOLEX INCORPORATED | | |
| 2 PLACES | ±0.13 | ±.01 | MATERIAL NO. SEE CHART | | DOCUMENT NO. SD-39525-002 | | SHEET NO. 1 OF 1 | | |
| 1 PLACE | ±0.3 | ± --- | DRAFT WHERE APPLICABLE MUST REMAIN WITHIN DIMENSIONS | | THIS DRAWING CONTAINS INFORMATION THAT IS PROPRIETARY TO MOLEX INCORPORATED AND SHOULD NOT BE USED WITHOUT WRITTEN PERMISSION | | | | |
| ANGULAR ± 2 ° | | | | | | | | | |

9 8 7 6 5 4 3 2 1

| Description | Circuit size | Material Numbers | | | | | | | | | | | Dimensional Information | | | | | | | | |
|---|--------------|------------------|-----------|-----------|------------------|-----------|-----------|------------------|-----------|-----------|------------------|-----------|-------------------------|-----------|--------|-------|--------|-------|--------|-------|--|
| | | Black | | | | | | Green | | | | | Dim. A | | | Dim B | | | Dim. C | | |
| | | 100% Tin | | | 30 u" Gold | | | 100% Tin | | | 30 u" Gold | | | | | | | | | | |
| | | Printing Options | | | Printing Options | | | Printing Options | | | Printing Options | | mm | inch | mm | inch | mm | inch | | | |
| 5.0mm, Euro Header, Vertical, Mounting Ends | 2 | 395250002 | 395250302 | 395250402 | 395250602 | 395250802 | 395250902 | 395250002 | 395255302 | 395255402 | 395255502 | 395255602 | 395255802 | 395255902 | 20.00 | 0.787 | 5.00 | 0.197 | 15.00 | 0.591 | |
| 5.0mm, Euro Header, Vertical, Mounting Ends | 3 | 395250003 | 395250303 | 395250403 | 395250603 | 395250803 | 395250903 | 395250003 | 395255303 | 395255403 | 395255503 | 395255603 | 395255803 | 395255903 | 25.00 | 0.984 | 10.00 | 0.394 | 20.00 | 0.787 | |
| 5.0mm, Euro Header, Vertical, Mounting Ends | 4 | 395250004 | 395250304 | 395250404 | 395250604 | 395250804 | 395250904 | 395250004 | 395255304 | 395255404 | 395255504 | 395255604 | 395255804 | 395255904 | 30.00 | 1.181 | 15.00 | 0.591 | 25.00 | 0.984 | |
| 5.0mm, Euro Header, Vertical, Mounting Ends | 5 | 395250005 | 395250305 | 395250405 | 395250605 | 395250805 | 395250905 | 395250005 | 395255305 | 395255405 | 395255505 | 395255605 | 395255805 | 395255905 | 35.00 | 1.378 | 20.00 | 0.787 | 30.00 | 1.181 | |
| 5.0mm, Euro Header, Vertical, Mounting Ends | 6 | 395250006 | 395250306 | 395250406 | 395250606 | 395250806 | 395250906 | 395250006 | 395255306 | 395255406 | 395255506 | 395255606 | 395255806 | 395255906 | 40.00 | 1.575 | 25.00 | 0.984 | 35.00 | 1.378 | |
| 5.0mm, Euro Header, Vertical, Mounting Ends | 7 | 395250007 | 395250307 | 395250407 | 395250607 | 395250807 | 395250907 | 395250007 | 395255307 | 395255407 | 395255507 | 395255607 | 395255807 | 395255907 | 45.00 | 1.772 | 30.00 | 1.181 | 40.00 | 1.575 | |
| 5.0mm, Euro Header, Vertical, Mounting Ends | 8 | 395250008 | 395250308 | 395250408 | 395250608 | 395250808 | 395250908 | 395250008 | 395255308 | 395255408 | 395255508 | 395255608 | 395255808 | 395255908 | 50.00 | 1.969 | 35.00 | 1.378 | 45.00 | 1.772 | |
| 5.0mm, Euro Header, Vertical, Mounting Ends | 9 | 395250009 | 395250309 | 395250409 | 395250609 | 395250809 | 395250909 | 395250009 | 395255309 | 395255409 | 395255509 | 395255609 | 395255809 | 395255909 | 55.00 | 2.165 | 40.00 | 1.575 | 50.00 | 1.969 | |
| 5.0mm, Euro Header, Vertical, Mounting Ends | 10 | 395250010 | 395250310 | 395250410 | 395250610 | 395250810 | 395250910 | 395250010 | 395255310 | 395255410 | 395255510 | 395255610 | 395255810 | 395255910 | 60.00 | 2.362 | 45.00 | 1.772 | 55.00 | 2.165 | |
| 5.0mm, Euro Header, Vertical, Mounting Ends | 11 | 395250011 | 395250311 | 395250411 | 395250611 | 395250811 | 395250911 | 395250011 | 395255311 | 395255411 | 395255511 | 395255611 | 395255811 | 395255911 | 65.00 | 2.559 | 50.00 | 1.969 | 60.00 | 2.362 | |
| 5.0mm, Euro Header, Vertical, Mounting Ends | 12 | 395250012 | 395250312 | 395250412 | 395250612 | 395250812 | 395250912 | 395250012 | 395255312 | 395255412 | 395255512 | 395255612 | 395255812 | 395255912 | 70.00 | 2.756 | 55.00 | 2.165 | 65.00 | 2.559 | |
| 5.0mm, Euro Header, Vertical, Mounting Ends | 13 | 395250013 | 395250313 | 395250413 | 395250613 | 395250813 | 395250913 | 395250013 | 395255313 | 395255413 | 395255513 | 395255613 | 395255813 | 395255913 | 75.00 | 2.953 | 60.00 | 2.362 | 70.00 | 2.756 | |
| 5.0mm, Euro Header, Vertical, Mounting Ends | 14 | 395250014 | 395250314 | 395250414 | 395250614 | 395250814 | 395250914 | 395250014 | 395255314 | 395255414 | 395255514 | 395255614 | 395255814 | 395255914 | 80.00 | 3.150 | 65.00 | 2.559 | 75.00 | 2.953 | |
| 5.0mm, Euro Header, Vertical, Mounting Ends | 15 | 395250015 | 395250315 | 395250415 | 395250615 | 395250815 | 395250915 | 395250015 | 395255315 | 395255415 | 395255515 | 395255615 | 395255815 | 395255915 | 85.00 | 3.346 | 70.00 | 2.756 | 80.00 | 3.150 | |
| 5.0mm, Euro Header, Vertical, Mounting Ends | 16 | 395250016 | 395250316 | 395250416 | 395250616 | 395250816 | 395250916 | 395250016 | 395255316 | 395255416 | 395255516 | 395255616 | 395255816 | 395255916 | 90.00 | 3.543 | 75.00 | 2.953 | 85.00 | 3.346 | |
| 5.0mm, Euro Header, Vertical, Mounting Ends | 17 | 395250017 | 395250317 | 395250417 | 395250617 | 395250817 | 395250917 | 395250017 | 395255317 | 395255417 | 395255517 | 395255617 | 395255817 | 395255917 | 95.00 | 3.740 | 80.00 | 3.150 | 90.00 | 3.543 | |
| 5.0mm, Euro Header, Vertical, Mounting Ends | 18 | 395250018 | 395250318 | 395250418 | 395250618 | 395250818 | 395250918 | 395250018 | 395255318 | 395255418 | 395255518 | 395255618 | 395255818 | 395255918 | 100.00 | 3.937 | 85.00 | 3.346 | 95.00 | 3.740 | |
| 5.0mm, Euro Header, Vertical, Mounting Ends | 19 | 395250019 | 395250319 | 395250419 | 395250619 | 395250819 | 395250919 | 395250019 | 395255319 | 395255419 | 395255519 | 395255619 | 395255819 | 395255919 | 105.00 | 4.134 | 90.00 | 3.543 | 100.00 | 3.937 | |
| 5.0mm, Euro Header, Vertical, Mounting Ends | 20 | 395250020 | 395250320 | 395250420 | 395250620 | 395250820 | 395250920 | 395250020 | 395255320 | 395255420 | 395255520 | 395255620 | 395255820 | 395255920 | 110.00 | 4.331 | 95.00 | 3.740 | 105.00 | 4.134 | |
| 5.0mm, Euro Header, Vertical, Mounting Ends | 21 | 395250021 | 395250321 | 395250421 | 395250621 | 395250821 | 395250921 | 395250021 | 395255321 | 395255421 | 395255521 | 395255621 | 395255821 | 395255921 | 115.00 | 4.528 | 100.00 | 3.937 | 110.00 | 4.331 | |
| 5.0mm, Euro Header, Vertical, Mounting Ends | 22 | 395250022 | 395250322 | 395250422 | 395250622 | 395250822 | 395250922 | 395250022 | 395255322 | 395255422 | 395255522 | 395255622 | 395255822 | 395255922 | 120.00 | 4.724 | 105.00 | 4.134 | 115.00 | 4.528 | |
| 5.0mm, Euro Header, Vertical, Mounting Ends | 23 | 395250023 | 395250323 | 395250423 | 395250623 | 395250823 | 395250923 | 395250023 | 395255323 | 395255423 | 395255523 | 395255623 | 395255823 | 395255923 | 125.00 | 4.921 | 110.00 | 4.331 | 120.00 | 4.724 | |
| 5.0mm, Euro Header, Vertical, Mounting Ends | 24 | 395250024 | 395250324 | 395250424 | 395250624 | 395250824 | 395250924 | 395250024 | 395255324 | 395255424 | 395255524 | 395255624 | 395255824 | 395255924 | 130.00 | 5.118 | 115.00 | 4.528 | 125.00 | 4.921 | |

| | | | | | | | | | | |
|---|-------------------------------|--|-------|-----------------|---|--|--------------|---|--|--|
| SEE SHEET 1 EC NO: NEC2006-0310 DRWNL: LROTHAUS 2006/01/09 CHKDC: CYORK 2006/01/09 APPR: J.P.A.M.L.I.C.K 2006/01/10 | QUALITY SYMBOLS ▽=0 ▽=0 | GENERAL TOLERANCES (UNLESS SPECIFIED) | | DIMENSION STYLE | | SCALE | DESIGN UNITS | THIRD ANGLE PROJECTION | | |
| | | | | MM/IN | | 4:1 | INCH | | | |
| | | | | mm | INCH | DRAWN BY | DATE | TITLE 5.0MM, EURO HEADER, VERTICAL, MOUNTING | | |
| | | | | 4 PLACES ± --- | ±.0015 | LROTHAUS | 12/6/05 | | | |
| | | 3 PLACES ± 0.038 | ±.005 | CHECKED BY | DATE | MOLEX INCORPORATED | | | | |
| | | 2 PLACES ± 0.13 | ±.01 | C. YORK | 01/04/06 | | | | | |
| | | 1 PLACE ± 0.3 | ± --- | APPROVED BY | DATE | MATERIAL NO. DOCUMENT NO. SHEET NO. SEE CHART SD-39525-002 2 OF 2 | | | | |
| | | ANGULAR ± 2 ° | | | | | | | | |
| | | DRAFT WHERE APPLICABLE MUST REMAIN WITHIN DIMENSIONS | | | THIS DRAWING CONTAINS INFORMATION THAT IS PROPRIETARY TO MOLEX INCORPORATED AND SHOULD NOT BE USED WITHOUT WRITTEN PERMISSION | | | | | |